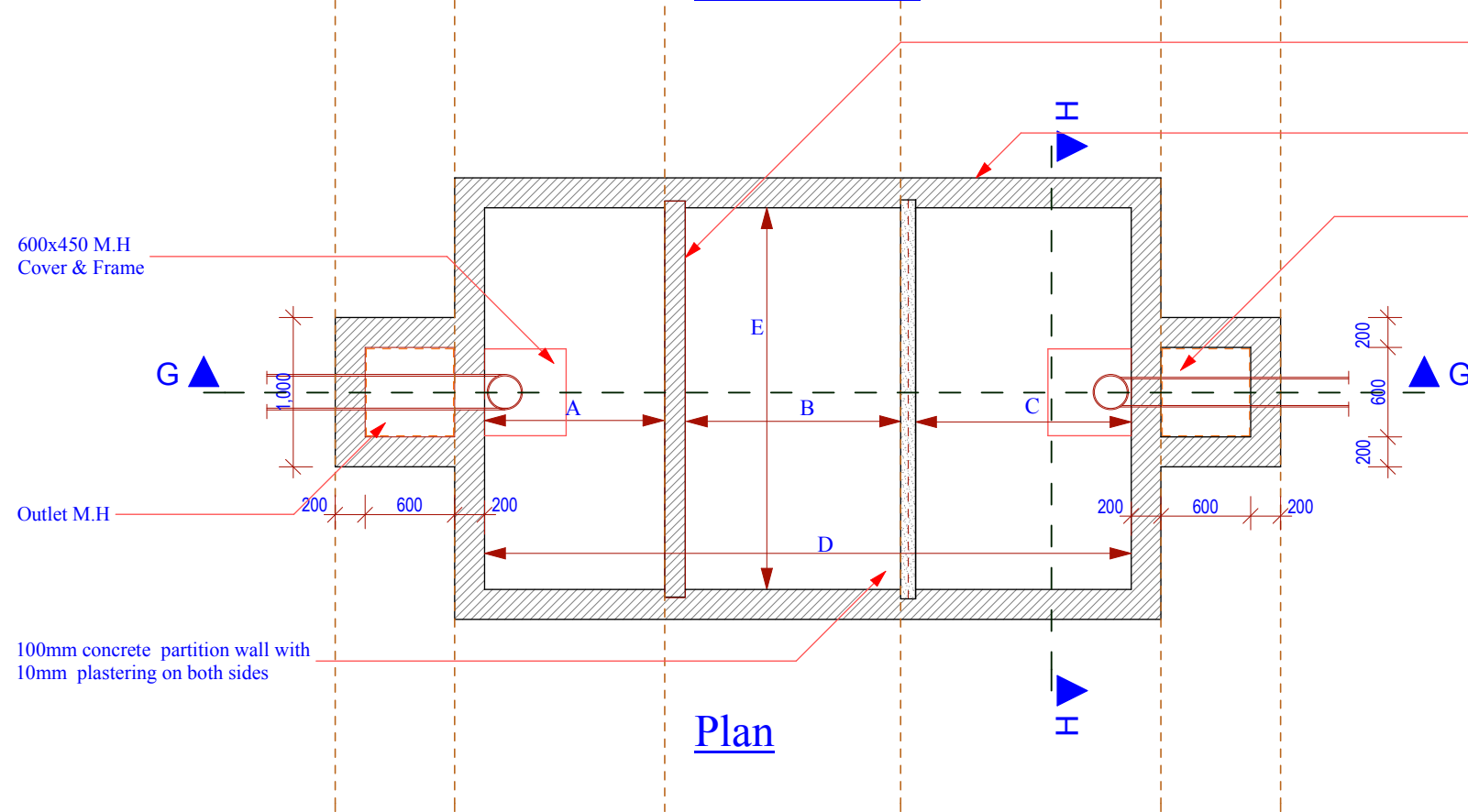


Section G-G

Section H-H



Plan

150 x 300mm suspended RC beam carrying 150mm thick masonry wall plastered on both sides
 200mm Masonry Wall With 10mm plastering on both sides
 Outlet M.H.

Capacity in Litres	No Of Persons	Desludging Intervals (Yrs)	Dimensions In mm						
			A	B	C	D	E	F1	F2
3,000	10	3	800	1,000	1,000	3,000	1,400	1,500	1,200
6,000	20	3	800	1,400	1,200	3,600	1,400	1,500	1,300
9,000	30	3	800	1,400	1,200	3,600	1,800	1,500	1,300
12,000	40	3	800	1,600	1,400	4,000	2,000	1,500	1,400
15,000	50	3	800	1,600	1,400	4,000	2,400	1,500	1,400

Project Title:
 Up-scaling Basic Sanitation for Urban Poor (UBSUP)

Drawing Title:
 Septic Tank Details Drawings

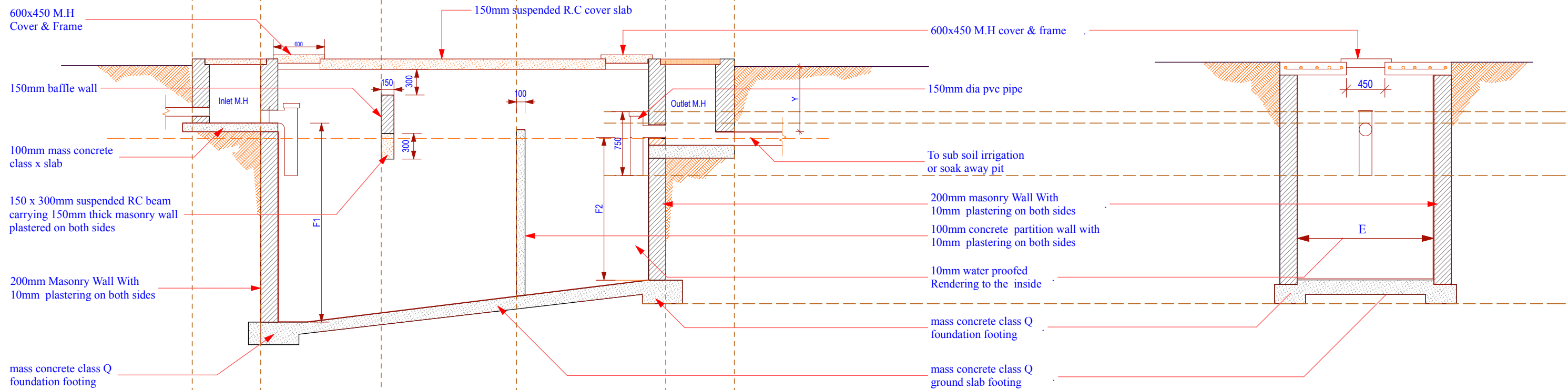
Drawn by:
 Edward Kung'u
Approved by:

Notes:
GENERAL
 Cover slab to be reinforced with 10mm diameter bars @ 10cm c/c (conc. 20/20 mix 1:2:4).
 Base slab to be concrete class Q mix 1:3:6.
 Outlet and inlet pipes to be 100mm diameter cast iron.
 Scum baffle to be 100mm diameter thick reinforced with 2no. 10mm at both ends (conc 20/20 mix 1:2:4)

Dividing wall to be 100mm thick concrete class 20/20 reinforced with weld mesh no. 65
 'GL' denotes unfinished ground level.
 All dimensions are shown in mm unless otherwise specified.
 Drawings are not to be scaled. Only figured dimensions to be used.
 The Contractor must check and verify all dimensions on site before commencement of any work.

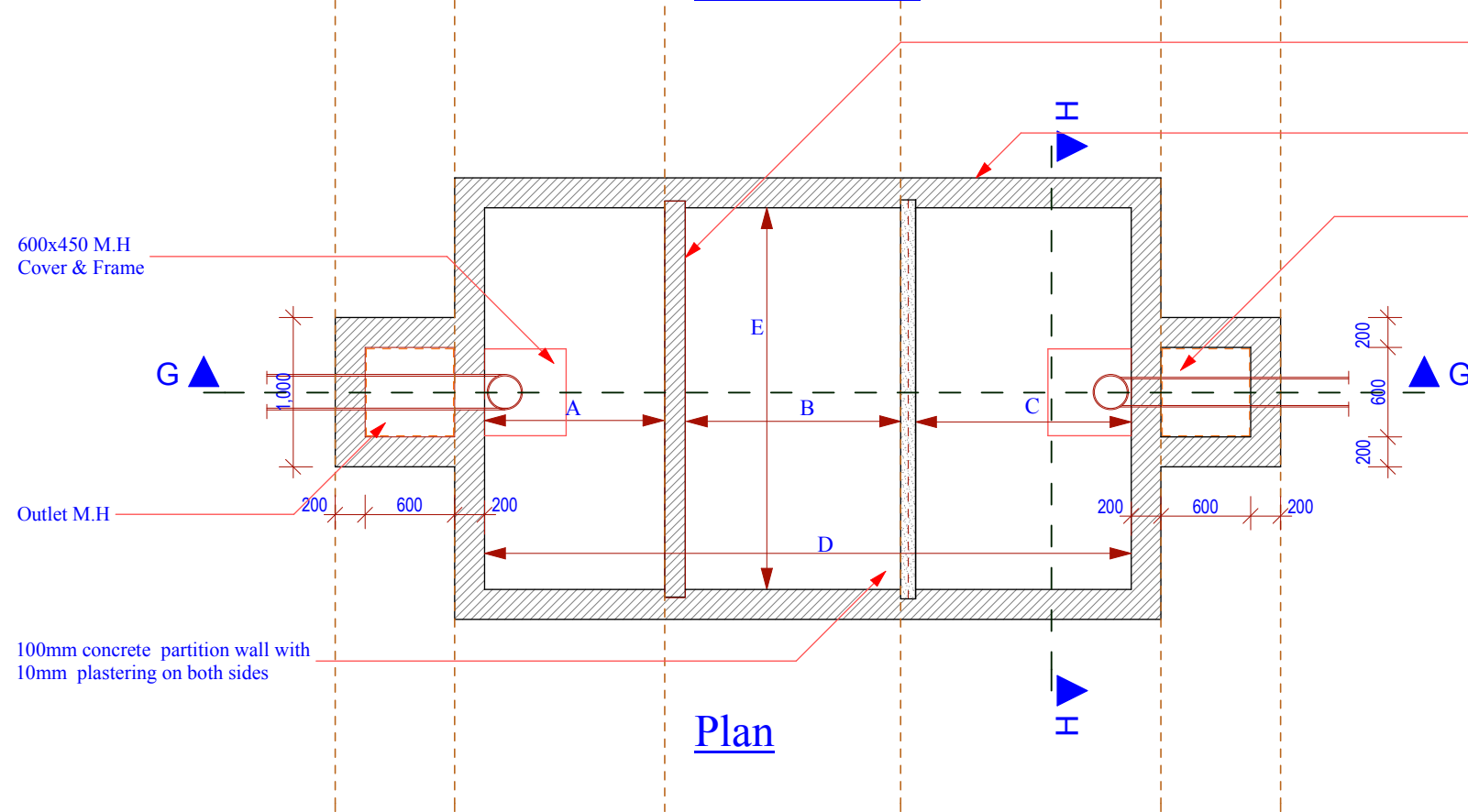
CONSTRUCTION
 All slabs at ground level to be poured over 1000 gauge polythene sheeting on 50mm thick murrum blinding on hard-core
 All soil under slabs and around external foundations to be poisoned for termite control.
 All soils on cut embankments to be stabilized. The slope not to exceed the natural angle of repose.
 For all R.C. work, refer to Structural Engineer's details.

Date: 07/02/2013
Scale: 1 : 50
page: 1 / 1



Section G-G

Section H-H



Plan

150 x 300mm suspended RC beam carrying 150mm thick masonry wall plastered on both sides
 200mm Masonry Wall With 10mm plastering on both sides
 Outlet M.H.

Capacity in Litres	No Of Persons	Desludging Intervals (Yrs)	Dimensions In mm						
			A	B	C	D	E	F1	F2
3,000	10	3	800	1,000	1,000	3,000	1,400	1,500	1,200
6,000	20	3	800	1,400	1,200	3,600	1,400	1,500	1,300
9,000	30	3	800	1,400	1,200	3,600	1,800	1,500	1,300
12,000	40	3	800	1,600	1,400	4,000	2,000	1,500	1,400
15,000	50	3	800	1,600	1,400	4,000	2,400	1,500	1,400

Project Title:
 Up-scaling Basic Sanitation for Urban Poor (UBSUP)

Drawing Title:
 Septic Tank Details Drawings

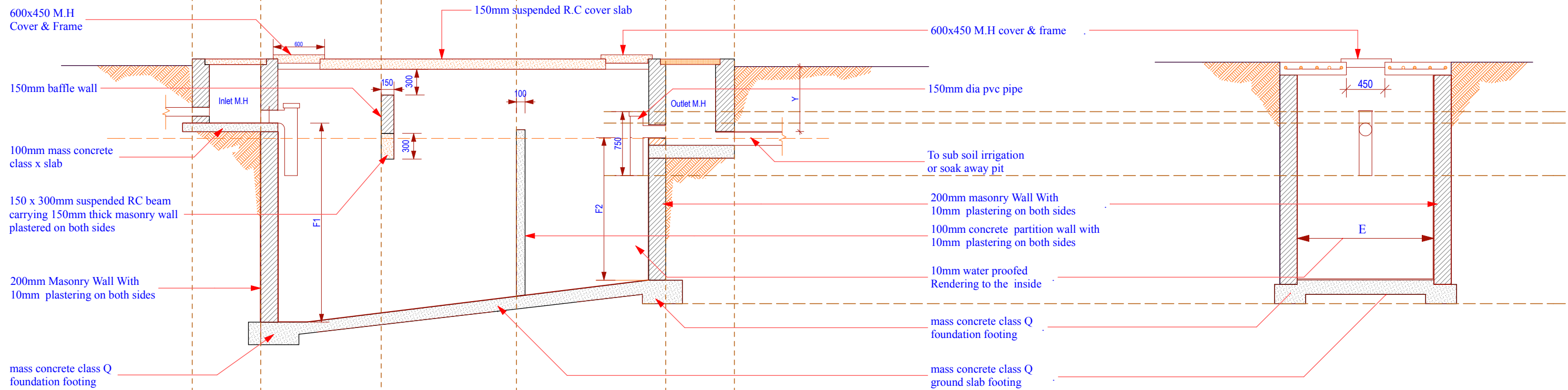
Drawn by:
 Edward Kung'u
Approved by:

Notes:
GENERAL
 Cover slab to be reinforced with 10mm diameter bars @ 10cm c/c (conc. 20/20 mix 1:2:4).
 Base slab to be concrete class Q mix 1:3:6.
 Outlet and inlet pipes to be 100mm diameter cast iron.
 Scum baffle to be 100mm diameter thick reinforced with 2no. 10mm at both ends (conc 20/20 mix 1:2:4)

Dividing wall to be 100mm thick concrete class 20/20 reinforced with weld mesh no. 65
 'GL' denotes unfinished ground level.
 All dimensions are shown in mm unless otherwise specified.
 Drawings are not to be scaled. Only figured dimensions to be used.
 The Contractor must check and verify all dimensions on site before commencement of any work.

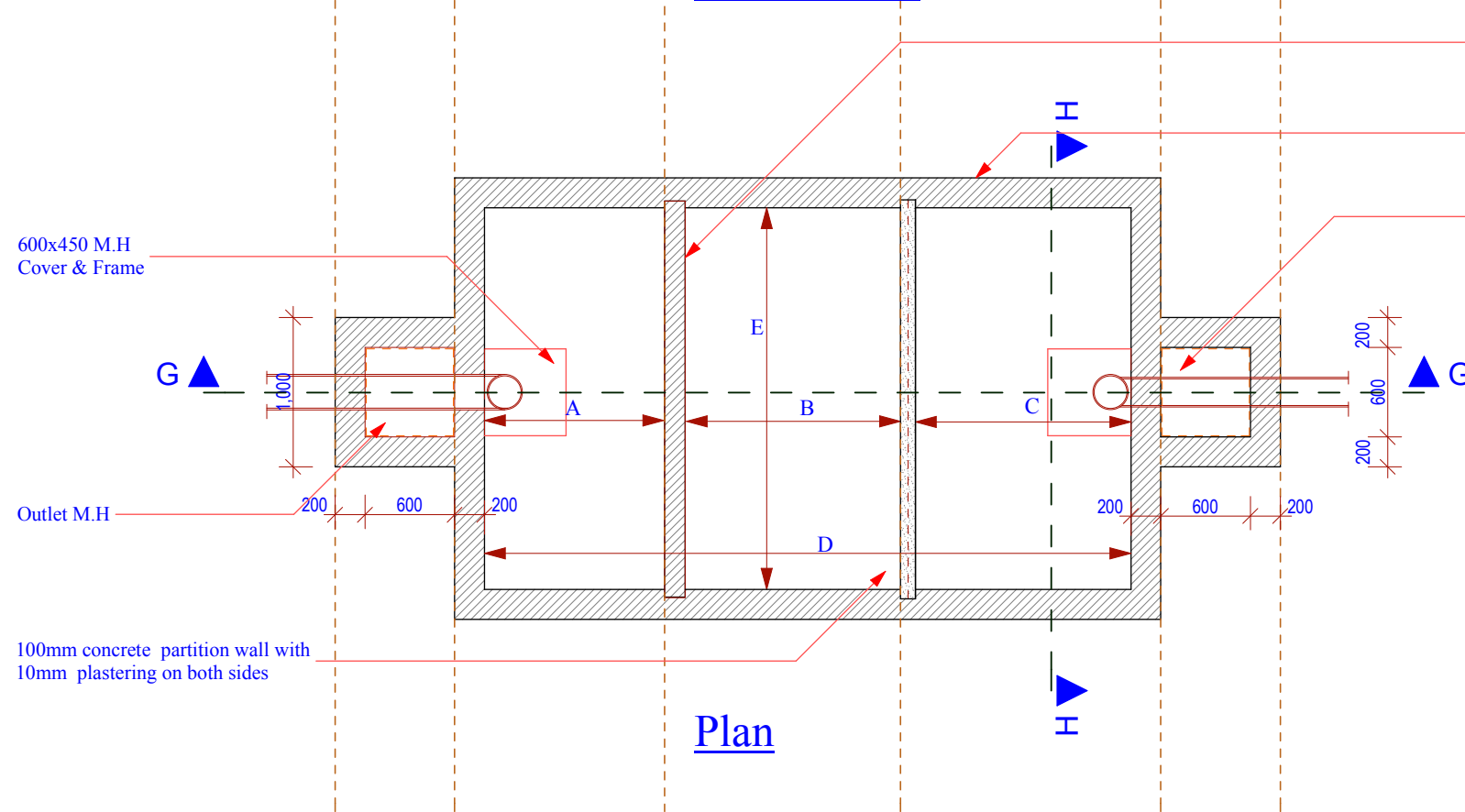
CONSTRUCTION
 All slabs at ground level to be poured over 1000 gauge polythene sheeting on 50mm thick murrum blinding on hard-core
 All soil under slabs and around external foundations to be poisoned for termite control.
 All soils on cut embankments to be stabilized. The slope not to exceed the natural angle of repose.
 For all R.C. work, refer to Structural Engineer's details.

Date: 07/02/2013
Scale: 1 : 50
Page: 1 / 1



Section G-G

Section H-H



Plan

150 x 300mm suspended RC beam carrying 150mm thick masonry wall plastered on both sides
 200mm Masonry Wall With 10mm plastering on both sides
 Outlet M.H.

Capacity in Litres	No Of Persons	Desludging Intervals (Yrs)	Dimensions In mm						
			A	B	C	D	E	F1	F2
3,000	10	3	800	1,000	1,000	3,000	1,400	1,500	1,200
6,000	20	3	800	1,400	1,200	3,600	1,400	1,500	1,300
9,000	30	3	800	1,400	1,200	3,600	1,800	1,500	1,300
12,000	40	3	800	1,600	1,400	4,000	2,000	1,500	1,400
15,000	50	3	800	1,600	1,400	4,000	2,400	1,500	1,400

Project Title:
 Up-scaling Basic Sanitation for Urban Poor (UBSUP)

Drawing Title:
 Septic Tank Details Drawings

Drawn by:
 Edward Kung'u
Approved by:

Notes:
GENERAL
 Cover slab to be reinforced with 10mm diameter bars @ 10cm c/c (conc. 20/20 mix 1:2:4).
 Base slab to be concrete class Q mix 1:3:6.
 Outlet and inlet pipes to be 100mm diameter cast iron.
 Scum baffle to be 100mm diameter thick reinforced with 2no. 10mm at both ends (conc 20/20 mix 1:2:4)

Dividing wall to be 100mm thick concrete class 20/20 reinforced with weld mesh no. 65
 'GL' denotes unfinished ground level.
 All dimensions are shown in mm unless otherwise specified.
 Drawings are not to be scaled. Only figured dimensions to be used.
 The Contractor must check and verify all dimensions on site before commencement of any work.

CONSTRUCTION
 All slabs at ground level to be poured over 1000 gauge polythene sheeting on 50mm thick murrum blinding on hard-core
 All soil under slabs and around external foundations to be poisoned for termite control.
 All soils on cut embankments to be stabilized. The slope not to exceed the natural angle of repose.
 For all R.C. work, refer to Structural Engineer's details.

Date: 07/02/2013
Scale: 1 : 50
Page: 1 / 1